

■ SPECIFICATIONS

| | |
|---------------------------|--|
| Product Composition | Handheld wireless microphone ...1 , Receiver...1 |
| Frequency Range | 748 - 758 MHz , UHF |
| Channel Selectable | Up to 16 channels (depending on region) |
| Tunable Frequencies | 25kHz Steps |
| Pilot tone | 32.768kHz |
| Total Harmonic Distortion | <1% @ 1kHz |
| Function | IR sync,Channel scan,Battery life indicator |
| Accessory | AC adapter ...1 |
| | Microphone holder W5/16" ...1 |

Wireless microphone

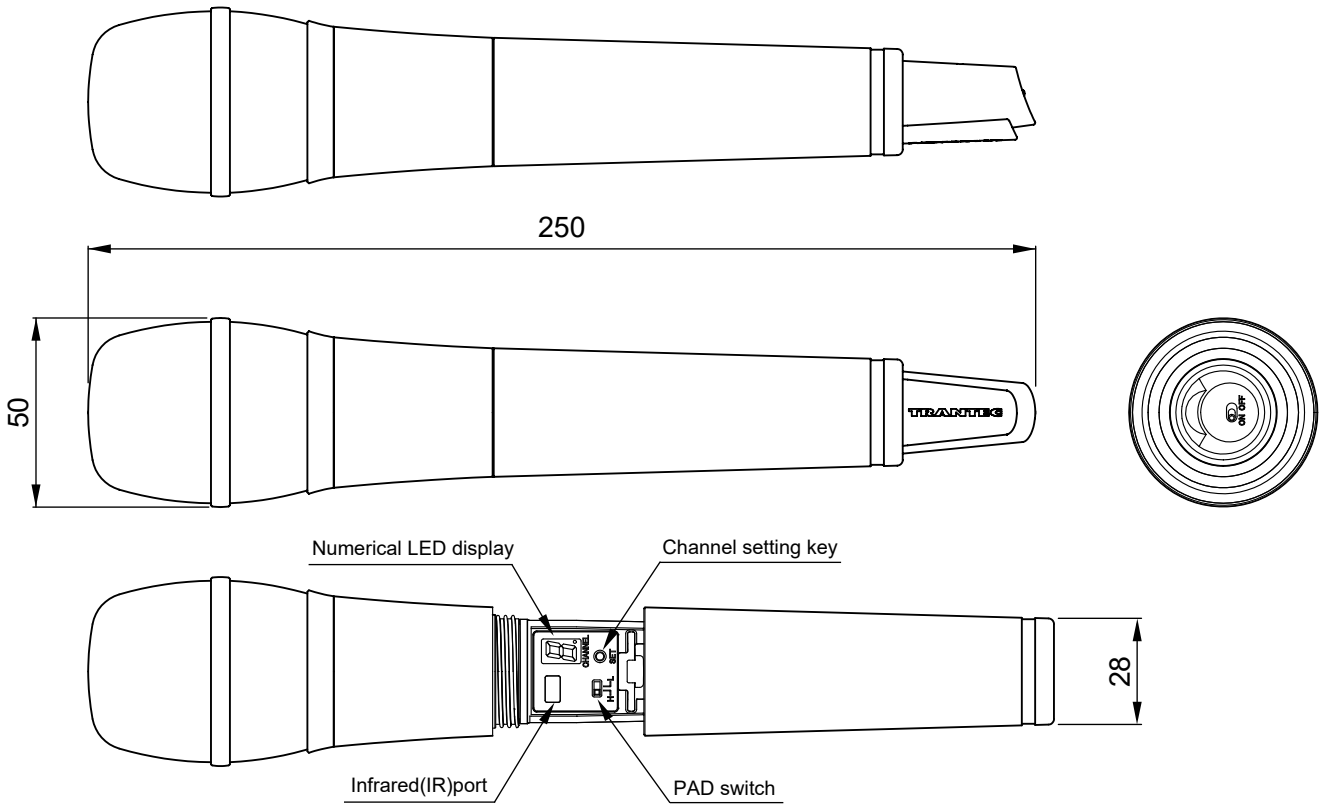
| | |
|--------------------------|-------------------------------------|
| Microphone Element | Dynamic with cardioid pattern |
| RF Carrier Power | 10mW |
| Audio Frequency Response | 80 - 15000 Hz |
| Audio input Level | 140dB SPL (maximum) |
| Modulation System | PLL synthesizer |
| Battery | 1 AA size alkaline battery, 1.5 V |
| Battery Life | Approx. 10 hours |
| Indicator | Battery status LED , 7 segments LED |
| Finish | Resin , coating |
| Dimensions | approx. 250 x 50 mm |
| Weight | approx. 245 g (with battery) |

Wireless receiver

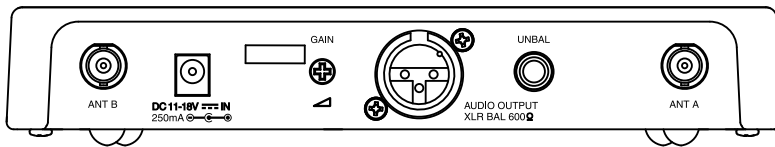
| | |
|------------------------------|---|
| Diversity Reception | AC mains (supplied AC-DC adapter must be used) |
| Sensitivity | 10uV at 45dBA S/N |
| Squelch(SQ) | Tone SQ,Carrier SQ,Noise SQ |
| Audio Frequency Response | 50 - 15000Hz |
| Audio Output Level (Maximum) | S4.10-RXA Balanced (XLR socket) : 16dBu Un-balanced (1/4" jack socket) : 10dBu |
| Power Supply | 11-18 VDC 300mA |
| Dimensions | 215(W) x 39(H) x 102(D) mm (excluding antenna and BNC) |
| Weight | 480g |

■ APPEARANCE

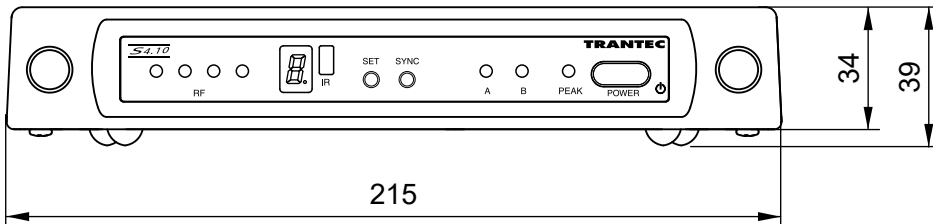
Wireless Microphone



Wireless Receiver



Rear View



Front View

SideView

